

► Air terminal devices ►►



Four in one!

RFD swirl diffuser including

- Plenum box
- Volume flow control
- Noise insulation

TROX[®] TECHNIK
The art of handling air

► RFD swirl diffuser with SIRIUS ►►

Four functions in one unit

The combination of the RFD swirl diffuser with the new SIRIUS plenum box brings together four functions in one product.

Plenum box, volume flow controller, sound attenuator and diffuser are intelligently combined in a compact four-in-one unit, resulting in a cost-saving unit with excellent acoustic properties.

Simple design, installation and maintenance

The multifunctional solution not only simplifies the design, but also eliminates the need for many obtrusive inspection accesses in the ceiling, thereby providing more space for other services.



Special central fixing screw for easier installation and maintenance (no tools required)

Quiet volume flow control with adjustable controller cage



The installation is much simpler and faster with four functions in one unit. The patented installation requires no tools, is hence quickly done and makes commissioning and maintenance significantly easier.

Perfectly integrated

Various signalling options simplify integration into an existing central BMS.

For example, the combination with the X-AIRCONTROL control system is ideal as it offers customised and demand-based room and zone control.

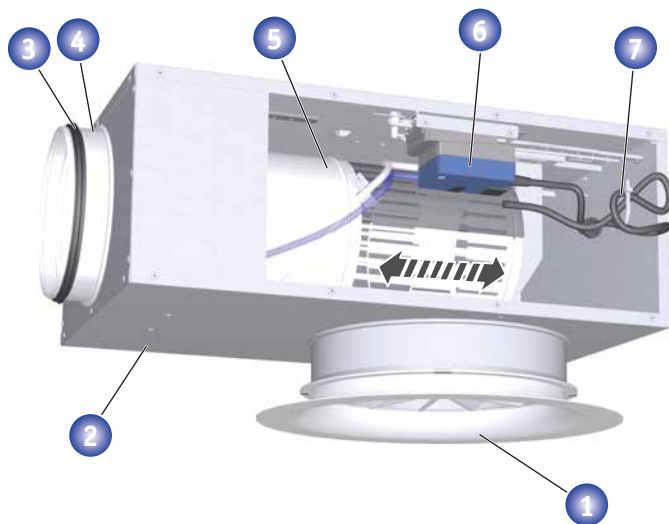


The RFD is also available with a square diffuser face

► Smart and compact ►►

A smart overall solution that saves time and money

- Combination of plenum box, volume flow controller, sound attenuator and diffuser in one
- Saves up to 50% in costs when compared to the assembly of individual components
- Also ideal for refurbishments with low suspended ceilings thanks to particularly flat design
- No tools required to fix the diffuser with patented screw fixing
- Easy maintenance – all parts can be accessed through the diffuser face
- The RFD-SIRIUS is available in sizes 160 to 400 mm, and is also suitable for suspended installation



- 1 Type RFD diffuser
- 2 SIRIUS plenum box
- 3 Lip seal
- 4 Spigot
- 5 Controller cage
- 6 Control component
- 7 Connecting cable



◀▶ RFD: 160, 200, 250, 315, 400 mm

SIRIUS: 125, 160, 200, 250 mm

↻ 4.7 – 171.4 l/s or 17 – 617 m³/h



TROX[®] TECHNIK

The art of handling air

TROX GmbH
Heinrich-Trox-Platz
47504 Neukirchen-Vluyn
Germany
Phone +49 (0) 2845 2020
Fax +49 (0) 2845 202265
www.troxtechnik.com
trox@trox.de